

Secure the lounge to the orbital frame. Push the base plug all the way into frame openings and secure in place using the thumb screws.

Care and Use Instructions:

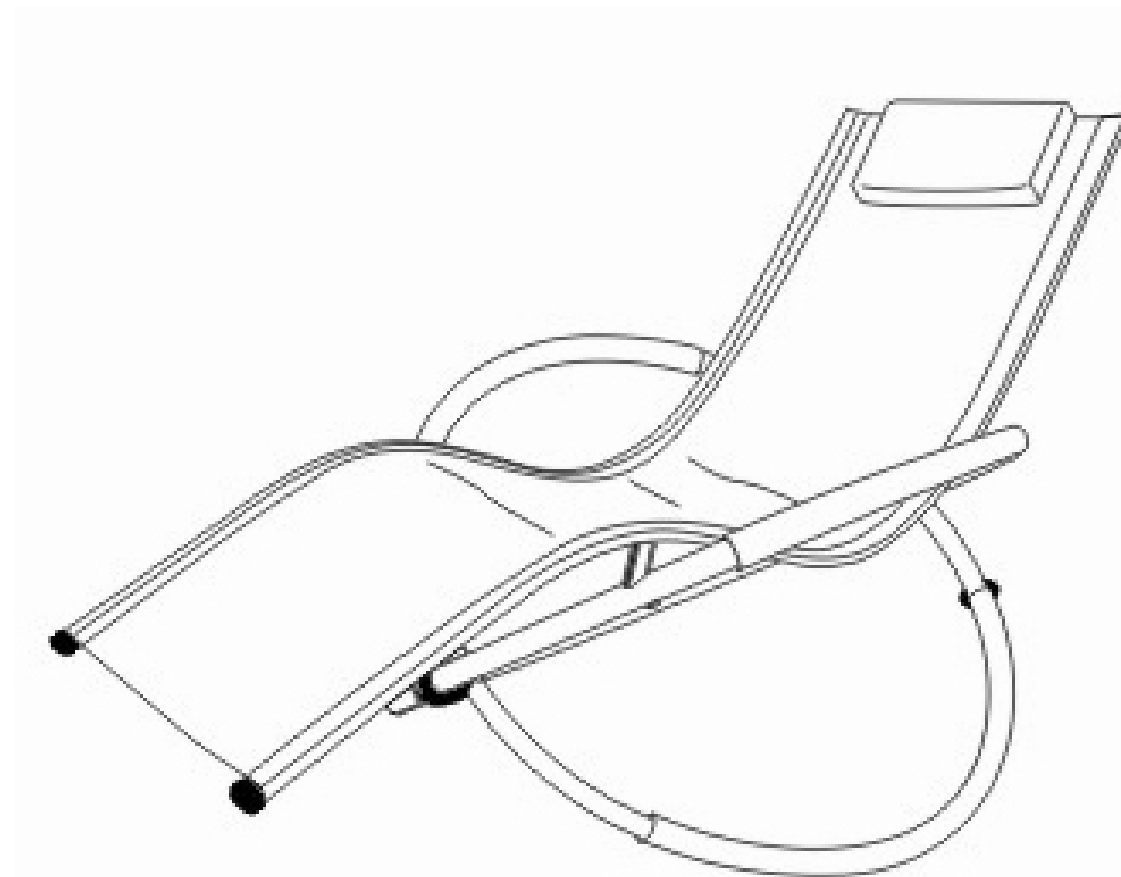
To enter the chair: Straddle the lounge while facing away from the chair. Hold the hand rails with both hands. Slowly ease your way onto the Orbital Lounger and sit down. Please use caution when climbing on and off the chair.

Adjust your lounging position by shifting your weight. Lean back to recline, lean forward for more upright sitting position.

To clean: Simply wipe down with a damp cloth. Use mild soap or cleaner.

WARNING!: Should only be used by people with good balance and coordination. DO NOT rock excessively. Improper use could result in injury. Tighten all screws before use.

ORBITAL LOUNGER



Assembly Instructions

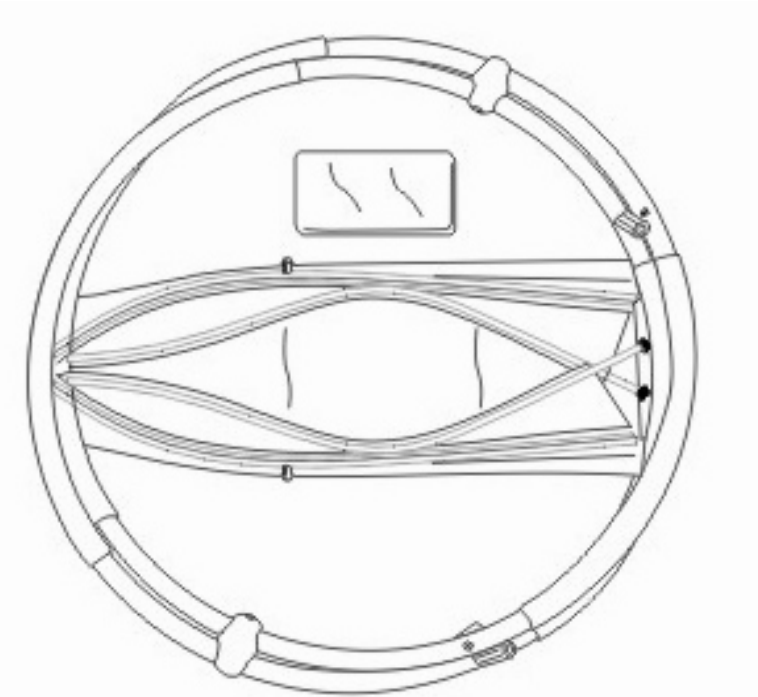
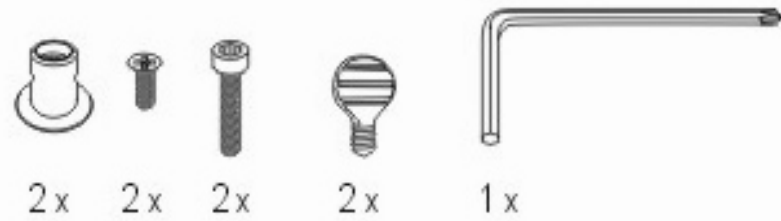
For additional help or parts support, please contact customerservice@redstartraders.com

Imported and Distributed by



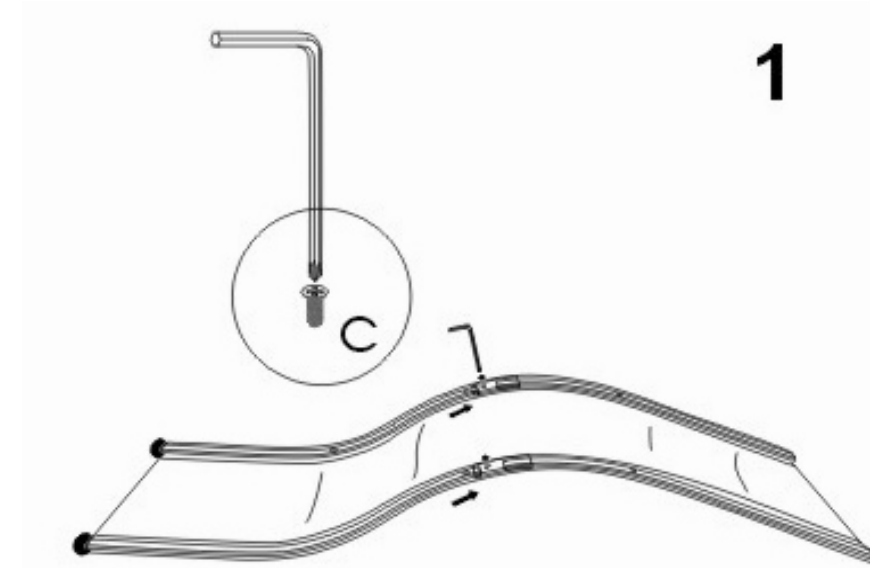
1775 W 2300 S | Sale Lake City, Utah | www.redstartraders.com
(801) 924.2090 V | (801) 924.2091 F

Please double check and identify the following parts:

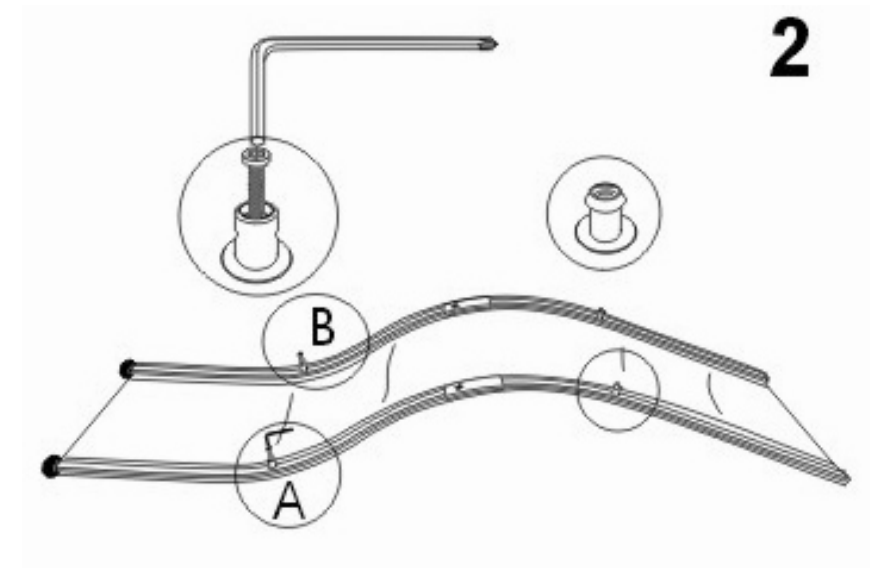


Make sure all of these parts are present and in good condition.

1. Aluminum Orbital Frame
2. Lounger mesh body (2 sections)
3. Pillow
4. Base Plugs (used to attach lounge body to frame)
5. Small Screws (Used to assemble the two lounge body sections)
6. Thumb screws (used to attach lounge base to frame)
7. Allen / Phillips screwdriver tool.



Assemble the lounge body by connecting the metal strips in the center. Locate the opening through the mesh and use the small screws to connect the two halves of the lounge body.



Using the Allen screws secure the base plugs to the frame body. Tighten the Allen screw through the base plug and screw into the frame. Note: Some of the base plugs might be already attached.